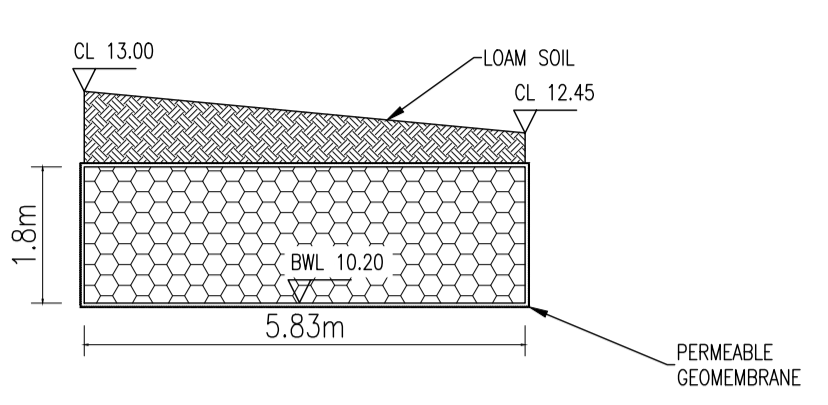
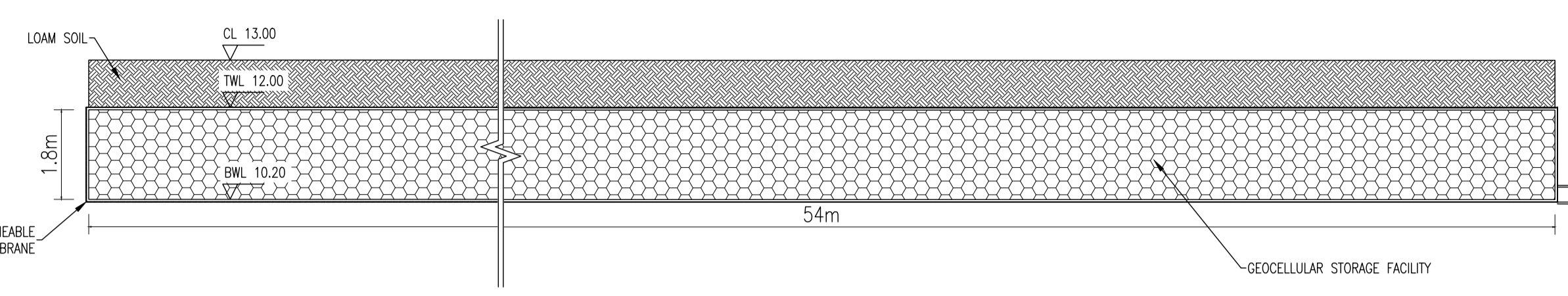


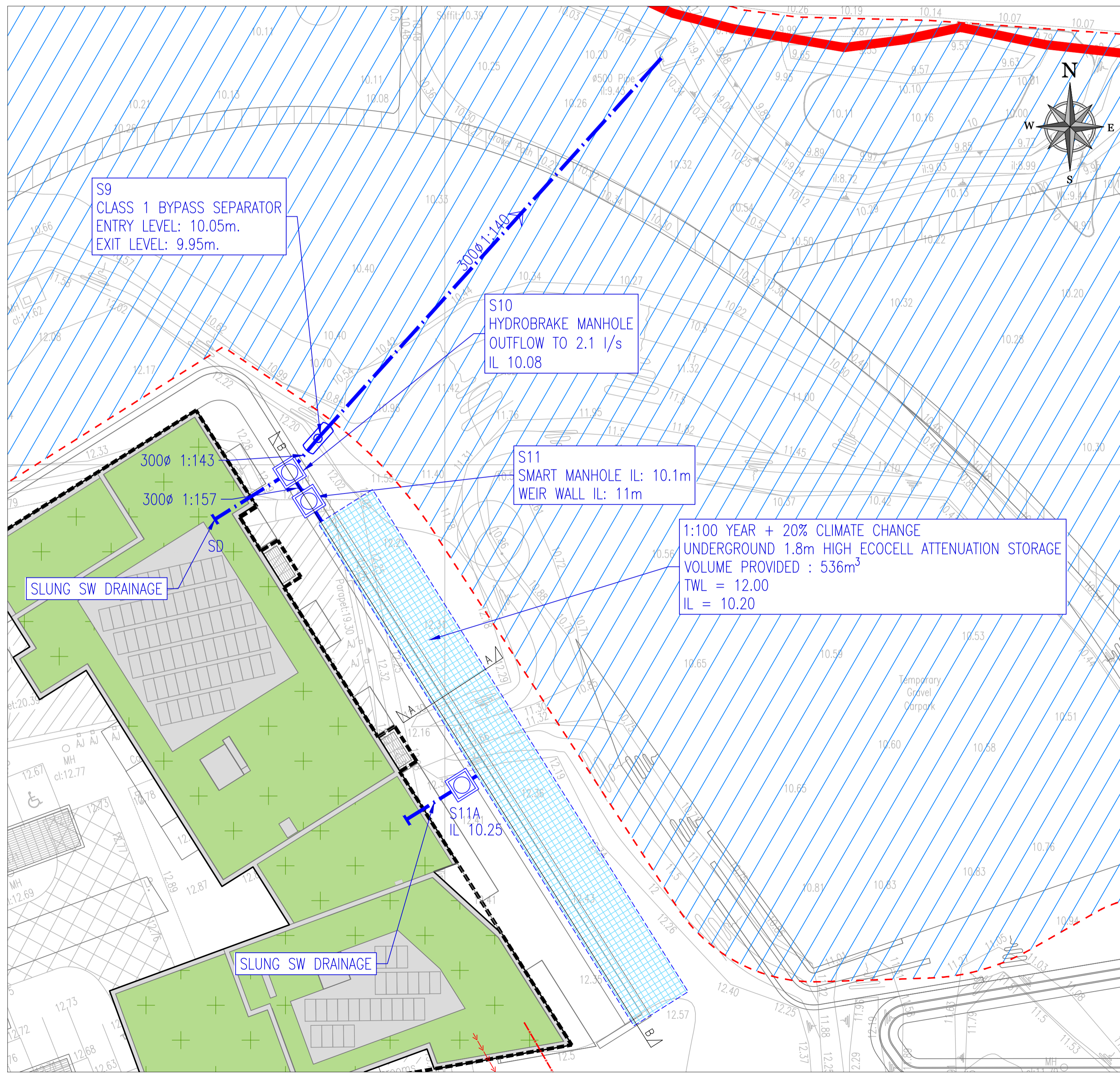
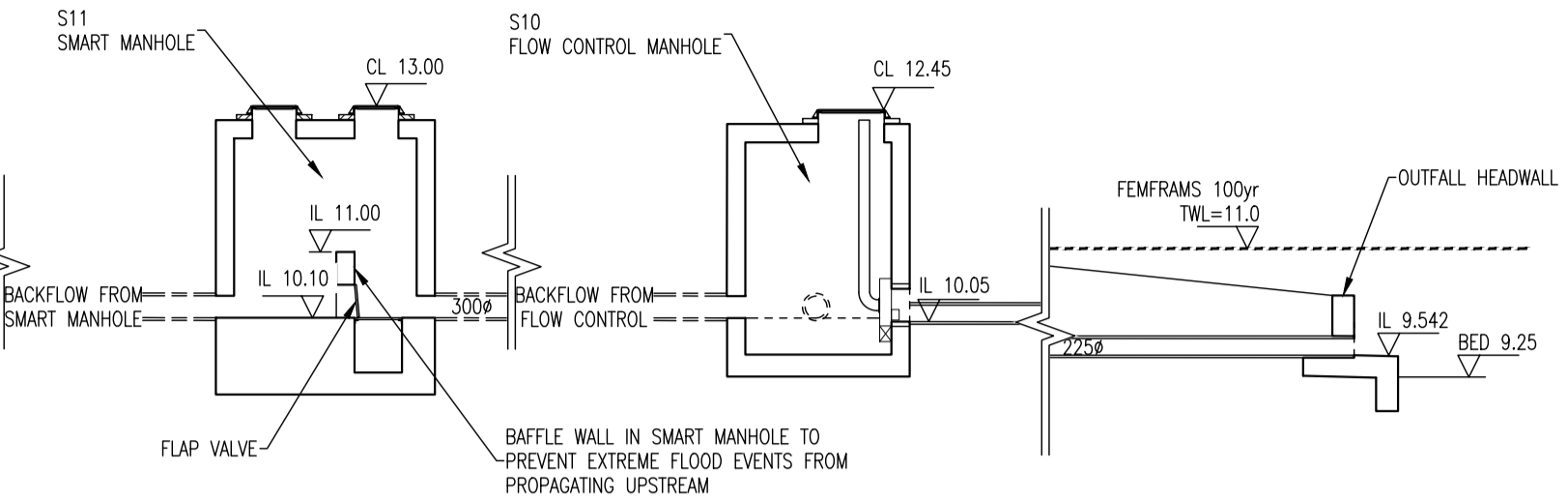
- NOTES:
- GENERAL NOTES:
1. ALL DRAWINGS TO BE CHECKED BY CONTRACTOR ON SITE AND ENGINEER INFORMED OF DISCREPANCIES BEFORE WORK COMMENCES.
 2. THE CONTRACTOR SHALL SATISFY HIMSELF AS TO THE ACCURACY OF EXISTING DRAINAGE LEVELS AND LOCATION OF EXISTING SERVICES ON SITE PRIOR TO COMMENCEMENT OF WORKS ON SITE.
 3. ALL DIMENSIONS AND LEVELS ARE IN METERS AND ARE RELATED TO ORDNANCE DATUM. CO-ORDINATES RELATE TO IRISH NATIONAL GRID.
 4. ALL FOUL SEWERS, MANHOLES AND CONNECTIONS TO BE CONSTRUCTED IN ACCORDANCE WITH IRISH WATER CODE OF PRACTICE FOR WASTEWATER INFRASTRUCTURE AND IRISH WATER WASTEWATER INFRASTRUCTURE STANDARD DETAILS.
 5. ALL FOUL SEWER HOUSE CONNECTIONS TO BE MIN 100mm^Ø UPVC TO IS EN 1401 2009/2012, STIFFNESS CLASS BKN/M2 IN ACCORDANCE WITH IRISH WATER SPECIFICATIONS.
 6. ALL PUBLIC FOUL SEWERS PIPE MATERIAL TO BE IN COMPLIANCE WITH SECTION 3.13 OF IRISH WATER WASTEWATER CODE OF PRACTICE.
 7. ALL PUBLIC SURFACE WATER SEWERS TO BE MINIMUM 225 DIA. CLASS H CONCRETE TO EN1916 & IS 6 2004 IN ACCORDANCE WITH THE GREATER DUBLIN REGIONAL CODE OF PRACTICE FOR DRAINAGE WORKS.
 8. ALL SURFACE WATER CONNECTIONS TO BE MINIMUM 150mm^Ø UPVC TO IS EN 1401 2009/2012 IN ACCORDANCE WITH THE GREATER DUBLIN REGIONAL CODE OF PRACTICE FOR DRAINAGE WORKS.
 9. LOCATION AND INVERT LEVELS OF EXISTING MANHOLES OR OUTFALL POINTS, WHERE APPLICABLE TO BE VERIFIED BY CONTRACTOR PRIOR TO COMMENCEMENT OF DRAINAGE WORKS.
 10. ALL COVER LEVELS TO MATCH FINISHED ROAD/VERGE/FOOTPATH/CYCLETRACK LEVELS UNLESS OTHERWISE STATED.
 11. CONTRACTOR TO INCLUDE FOR CCTV SURVEY OF ALL SEWERS UPON COMPLETION OF SAME.
 12. ALL FOUL SEWERS TO BE AIR TESTED IN ACCORDANCE WITH IRISH WATER SPECIFICATIONS.
 13. WHERE COVERS ARE LOCATED IN GRASS AREAS, THEY SHALL BE SURROUNDED BY A CONCRETE PLUMB 200MM ALL ROUND AND 100MM DEEP FORMED WITH C20/25 CONCRETE, 20MM AGGREGATE SIZE, BEDDED IN CLAUSE 808 MATERIAL.



TYPICAL CROSS SECTION A-A THROUGH ATTENUATION FACILITY
SCALE 1:100



TYPICAL CROSS SECTION B-B THROUGH ATTENUATION FACILITY
SCALE 1:100



PLAN OF ATTENUATION FACILITY (SCALE 1:250)

REV	DATE	DESCRIPTION	BY	CHKD
PLANNING				
DESIGNED	NGC	PREPARED	PJC	
DATE	APR 2019	CHECKED	DJR	

DBFL Consulting Engineers
 Dublin Office: Ormrod House, Upper Ormrod Quay, Dublin 7, Ireland. PHONE +353 1 400 4000 FAX +353 1 400 4050
 Waterford Office: Unit 2, The Chandlery, 1-2 O'Connell Street, Waterford, Ireland. PHONE +353 51 308 500 FAX +353 51 844 913
 Email: info@dbfl.ie Site: www.dbfl.ie

PROJECT
**PARKSIDE 4,
 PARKSIDE, DUBLIN 13**

DRG. TITLE
ATTENUATION DETAILS

CLIENT
CAIRN HOMES PROPERTIES LTD.

SCALE AS SHOWN @A1 FILE REF. 190011-3006
 DRG. NO. **190011-3006**